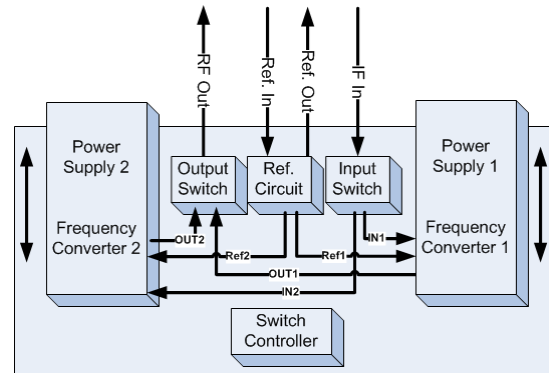


IFC™ SERIES IF- TO C-BAND UP/DOWN CONVERTER 1:1 REDUNDANCY RACK MOUNT SYSTEM

The IRT Technologies Intelligent Frequency Converters (IFC™) shape the next-generation satellite transmission with its breakthrough leading edge technology, state of the art design, and unprecedented reliability with 3 years warranty for this product line!

Features patent pending hot-swappable power supply and converter module shelf redundancy with embedded switch controller, embedded input and output switches and extensive monitor & control via front panel, serial ports EIA232/EIA485 and Ethernet.

IFC™ Series features Best in Class RF characteristic, Flexible reference with autosensing can lock to external 5/10 MHz reference or utilize built-in high stability reference oscillator.



KEY FEATURES

- 1:1 Redundant patent pending real hot swappable in 1RU chassis with no need for additional external 1RU switch controller and external input/output switches
- Superior RF performance:
 - Phase noise 8dB better than IESS308/309
 - In Band Spurious below -60dBc
 - Superior Gain flatness
- Available in two options covering:– standard C, super-extended, Palapa and Insat;
- User Friendly front panel with menu driven display
- 5/10MHz external reference Autosense
- Full featured M&C Interface via serial EIA485, EIA232 and Ethernet:
 - Frequency control with 1kHz step
 - 20dB Gain Control
 - Input and output power detectors
 - Automated level control (ALC) mode optional
- External Redundant Interface for higher level redundancy capability
- IF and RF monitoring optional
- 48VDC isolated power supply optional

US PATENT PENDING # 61,777,082

800 Boulevard Saint-Jose
La Prairie, QC
Canada J5R 6W9
+1-450-444-1227
www.irttechnologies.com

Canada (Headquarters)
canada_sales@irttechnologies.com

Europe
europe_sales@irttechnologies.com

USA
usa_sales@irttechnologies.com

Asia-Pacific
asia_sales@irttechnologies.com

IFC™ SERIES IF- TO C-BAND UP/DOWN CONVERTER RACK MOUNT SYSTEM SPECIFICATION

	UPCONVERTER	DOWNCONVERTER
IF CHARACTERISTICS	IF Input	IF Output
Frequency Range:		
70MHz IF	70MHz +/-18MHz	
140MHz IF	140MHz +/-36MHz	
Output Power @P1dB	N/A	5dBm min
Max Input Level	10dBm	N/A
Impedance	50Ohm/75Ohm optional	
Return Loss	-18dB max	
RF CHARACTERISTICS	RF Output	RF Input
Frequency Range:		
Stand/Ext C	5.85-6.725GHz	3.4-4.2GHz
Palapa/Insat	6.425-7.025GHz	4.5-4.8GHz
Frequency Step	1kHz/1Hz	
Output Power @P1dB	15dBm min	N/A
2 tone IMD at 0dBm Pout	-40dBc max	N/A
Gain Control	20dB range 0.1dB step	
10MHz Ref Out (Optional)	Separate Connector	
Impedance	50Ohm/75Ohm optional	
Return Loss	1.5	
Max Input Level	N/A	Operational up to 0dBm
	No Damage up to 10dBm	
TRANSFER CHARACTERISTICS		
Conversion Gain	30 dB (Optional 35 dB)	
Gain Adjustment	20dB with 0.1dB step(Optional 25 dB)	
Gain Flatness 70MHz IF:	+/-0.5dB	
over full C- band:	+/-1.0 max	
over 36MHz:	+/-0.5 max	
Phase noise: @ 100Hz	-68dBc	
@ 1kHz	-78dBc	
@ 10kHz	-88dBc	
@ 100kHz	-95dBc	
@ 1MHz	-115dBc	
In Band Spurious	<-60dBc	
REFERENCE		
Frequency	10MHz	5MHz Optional
Int./Ext. Autosense	Int. clock locks on external reference	
Frequency Stability		
Short term	0.01 ppb	
Aging	+/-100ppb per year	
Phase Noise @ 10Hz	-125dBc/Hz	
@ 100Hz	-140dBc/Hz	
@ 1kHz	-150dBc/Hz	
@ 10kHz	-155dBc/Hz	
Power at 10M out port	+5dBm+/-2dB Optional	

MONITOR & CONTROL FEATURES		
Interfaces:		
Serial - EIA485	DB9 Connector rear panel	
Serial - EIA232	RJ45 or DB9 Connector rear panel	
10/100 base-T Ethernet	RJ45 Connector rear panel	
Alarm and Control	DB9 Connector rear panel	
Redundant protection interface	HD15 Connector rear panel	
Controls:		
Gain Control	via Serial, Ethernet, Front panel	
Uplink/Downlink Freq Control	via Serial, Ethernet, Front panel	
Mute Control	via Serial, Ethernet, Fr. panel, Red Int.	
A/B Redundancy Toggle	via Serial, Ethernet, Front panel,	
Local/Remote toggle	Serial(Ethernet)/Front panel toggle	
Auto/Manual toggle	via Serial, Ethernet, Front panel,	
Clear Alarm	via Serial, Ethernet, Front panel	
Indicators:		
Uplink/Downlink Frequency	via Serial, Ethernet, Front panel	
Gain Status	via Serial, Ethernet, Front panel	
IF&RF Power Detect	via Serial, Ethernet, Front panel	
Temperature	via Serial, Ethernet, Front panel	
Active/Stand by status	via Serial, Ethernet, Front panel	
Switch Position	via Serial, Ethernet, Front panel	
Summary Alarm Status	via Serial, Ethernet, Front panel, Redundancy Interface	
Mute Status	via Serial, Ethernet, Front panel, Redundancy Interface	
POWER SUPPLY		
Input Voltage	90 to 265VAC 50/60Hz PFC	
	48VDC Isolated Optional	
MECHANICAL		
Width	19" Rack	
Height	1RU	
Depth	20"	
Color	Metallic	
Cooling	Forced air	
IF/RF CONNECTORS		
	IF	BNC (other options available)
	RF	N-type (other options available)
10MHz Ref In/Out		BNC (other options available)
IF Monitoring (Optional)		BNC (other options available)
C-Band Monitoring (Optional)		N-type (other options available)
ENVIRONMENTAL		
Operating temperature	0 to 60 deg.C	
Storage Temperature	-40 to +85 deg.C	
Humidity	0 to 95% (non-condensing)	

*Contact us for detailed ordering information at sales@irttechnologies.com

Rev.04

800 Boulevard Saint-Jose
La Prairie, QC
Canada J5R 6W9
+1-450-444-1227
www.irttechnologies.com

Canada (Headquarters)
canada_sales@irttechnologies.com

USA
usa_sales@irttechnologies.com

Europe
europe_sales@irttechnologies.com

Asia-Pacific
asia_sales@irttechnologies.com

