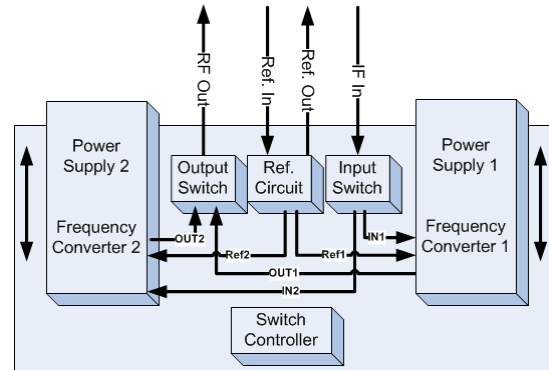


IFC™ SERIES KU-BAND UP/DOWN CONVERTER 1:1 REDUNDANCY RACK MOUNT SYSTEM

The IRT Technologies Intelligent Frequency Converters (IFC™) shape the next-generation satellite transmission with its breakthrough leading edge technology, state of the art design, and unprecedented reliability with 3 years warranty for this product line!

Features patent pending hot-swappable power supply and converter module shelf redundancy with embedded switch controller, embedded input and output switches and extensive monitor & control via front panel, serial ports EIA232/EIA485 and Ethernet.

IFC™ Series features Best in Class RF characteristic, Flexible reference with autosensing can lock to external 5/10 MHz reference or utilize built-in high stability reference oscillator.



KEY FEATURES

- 1:1 Redundant patent pending real hot swappable in 1RU chassis with no need for additional external 1RU switch controller and external input/output switches
- Superior RF performance:
 - Phase noise 8dB better than IESS308/309
 - In Band Spurious below -60dBc
 - Superior Gain flatness
- Switchable LO option - standard and Extended Ku-Band in one unit
- User Friendly front panel with menu driven display
- 5/10MHz external reference Autosense
- Full featured M&C Interface via serial EIA485, EIA232 and Ethernet:
 - 20dB Gain Control
 - Input and output power detectors
 - Automated level control (ALC) mode optional
- External Redundant Interface for higher level redundancy capability
- RF and L-Band monitoring optional
- 48VDC isolated power supply optional

US PATENT PENDING # 617,770,082

800 Boulevard Saint-Jose
La Prairie, QC
Canada J5R 6W9
+1-450-444-1227
www.irttechnologies.com

Canada (Headquarters)
canada_sales@irttechnologies.com

USA
usa_sales@irttechnologies.com

Europe
europe_sales@irttechnologies.com

Asia-Pacific
asia_sales@irttechnologies.com

IFC™ SERIES KU-BAND UP/DOWN CONVERTER 1:1 REDUNDANCY RACK MOUNT SYSTEM SPECIFICATION

Parameter	Up-Converter		Down-Converter	
RF Performance	Standard Ku	Extended Ku	Ku Sub-Band 1	Ku Sub-Band 2
RF Frequency Range-Available in/switched:	14-14.5GHz	13.75-14.5GHz	10.70-11.70GHz	11.70-12.75GHz
IF Frequency Range	950-1450MHz	950-1700MHz	950-1950MHz	950-2000MHz
LO Frequency	13.05GHz	12.8GHz	9.75GHz	10.75GHz
Input Return Lost	16 dB		18 dB	
Output Return Lost	18 dB		16 dB	
Noise Figure	5 dB Max			
Conversion	Single Conversion; non-inverting			
Output Power at 1dB compression point	10dBm min			
Conversion Gain	35dB			
Gain Flatness	+/-1dB max over full band; +/-0.5dB max over any 40MHz			
Gain Stability	+/-1.5dB over full temperature range			
Gain Control	20dB min			
External Reference Frequency	10MHz			
External Reference Required Phase Noise	-130dBc/Hz @ 100Hz; -140dBc/Hz @ 1kHz; -150dBc/Hz @ 10kHz; -155dBc/Hz @ 100 kHz			
Phase Noise	-70dBc/Hz @ 100Hz; -80dBc/Hz @ 1kHz; -90dBc/Hz @ 10kHz; -95dBc/Hz @ 100kHz; -115dBc/Hz @ 1MHz			
Spurious	Signal related: -55dBc; Non signal related : -60dBc			
Monitor & Control Features				
Interfaces:				
Serial – EIA485	DB9 Connector rear panel			
Serial – EIA232	RJ45 or DB9 Front Panel			
10/100 base-T Ethernet	RJ45 rear panel			
Alarm and Control	DB9 Connector rear panel			
Redundant protection interface	HD15 Connector rear panel			
Controls:				
Gain Control	via Serial, Ethernet, Front panel			
LO Select - Standard/Extended Ku Band Toggle	via Serial, Ethernet, Front panel			
Mute Control	via Serial, Ethernet, Front panel, Red Int.			
Local/Remote toggle	Serial(Ethernet)/Front panel toggle			
A/B redundancy toggle	via Serial, Ethernet, Front panel			
Clear Alarm	via Serial, Ethernet, Front panel			
Indicators:				
Lock Status	via Serial, Ethernet, Front panel			
Gain Status	via Serial, Ethernet, Front panel			
IF Power Detect	via Serial, Ethernet, Front panel			
RF Power Detect	via Serial, Ethernet, Front panel			
Temperature	via Serial, Ethernet, Front panel			
Summary Alarm Status	via Serial, Ethernet, Front panel, Red Int			
Active/Stand by Status	via Serial, Ethernet, Front panel			
Switch position/status	via Serial, Ethernet, Front panel			
Mute Status	via Serial, Ethernet, Front panel, Red Int			
Power Supply	Mechanical			
Input Voltage	90 to 265VAC 50/60Hz PFC	Width	19" Rack	IF/RF Connectors
	48VDC Optional	Height	1RU	IF N-type (other options available)
Environmental		Depth	20"	RF N-type
Operating temperature	0 to 60 deg.C	Color	Metallic	10MHz Ref In/Out BNC (other options available)
Storage Temperature	-40 to +85 deg.C	Cooling	Forced air	

*Contact us for detailed ordering information at sales@irttechnologies.com

Rev.02

800 Boulevard Saint-Jose
La Prairie, QC
Canada J5R 6W9
+1-450-444-1227
www.irttechnologies.com

Canada (Headquarters)
canada_sales@irttechnologies.com

Europe
europa_sales@irttechnologies.com

USA
usa_sales@irttechnologies.com

Asia-Pacific
asia_sales@irttechnologies.com

